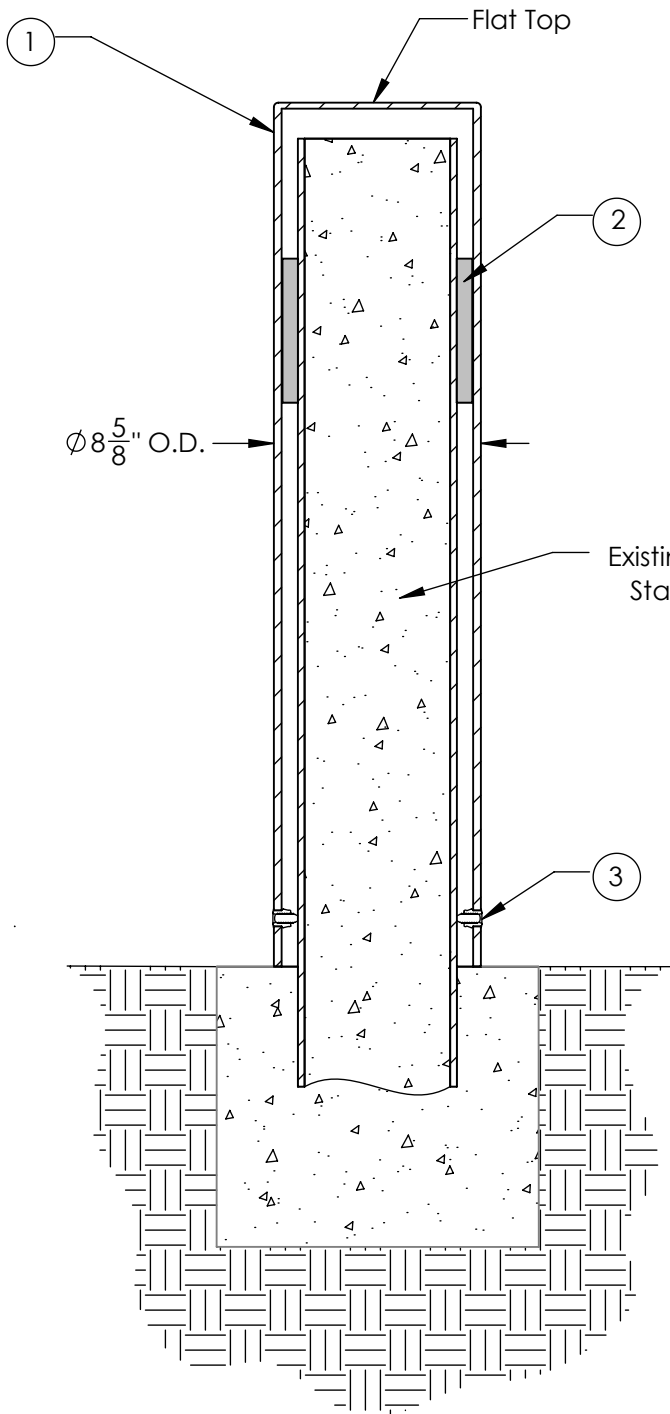




Type P - Pipe Mount

Series: Derby

Product Number: 380-SF



36" TALL S.S. BOLLARD SLEEVE

ITEM	QTY	PART	WEIGHT
1	1	8" Flat top schedule #40 stainless steel bollard cover.	91.2 lbs.
2	3	Neoprene foam spacer strips	13.2 g. ea.
3	3	3/8" Stainless steel set screws.	1.32 g. ea.

-Stainless steel bollard sleeves over existing interior concrete-embedded pipe. Bollard is fastened to interior pipe with stainless steel set screws.

-Footer detail is for reference only; proper footer construction depends on local soil conditions and engineering requirements.