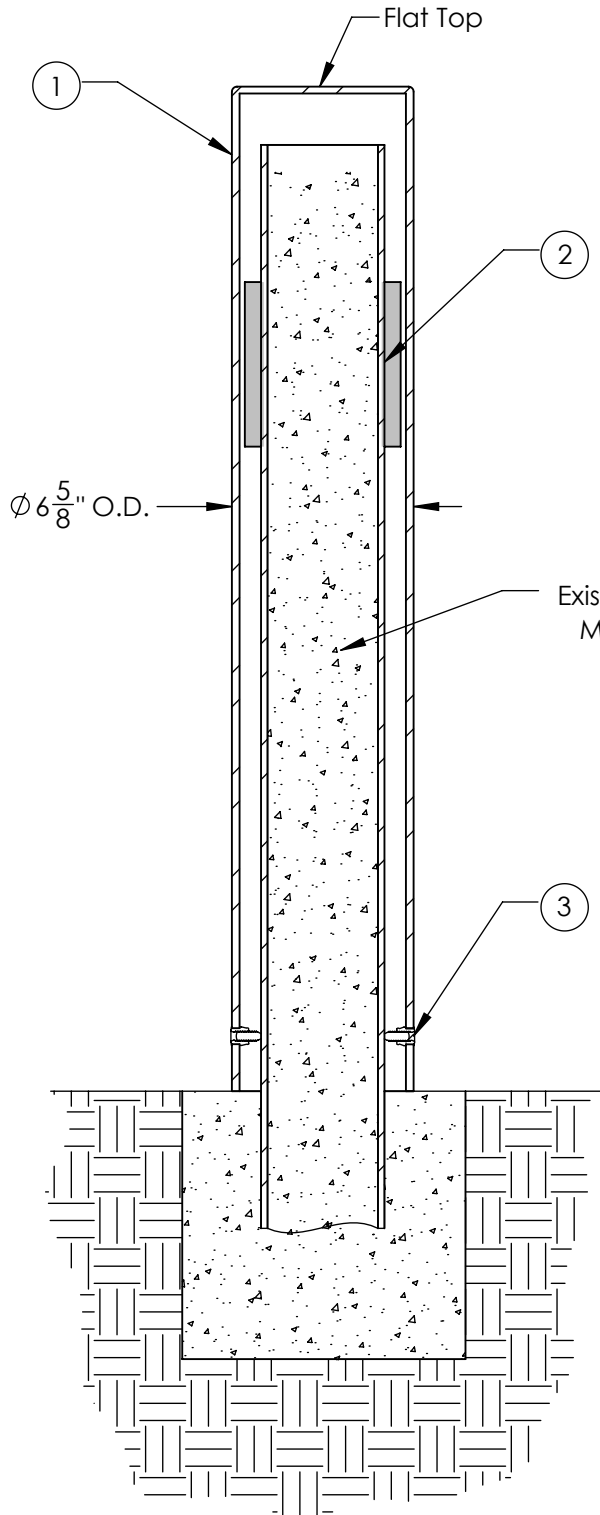




Type P - Pipe Mount

Series: Bastion

Product Number: 360-SF



36" TALL M.S. BOLLARD SLEEVE

| ITEM | QTY | PART | WEIGHT |
|------|-----|--|-------------|
| 1 | 1 | 6" Flat top schedule #40 mild steel bollard cover. | 59.6 lbs. |
| 2 | 3 | Neoprene foam spacer strips | 13.2 g. ea. |
| 3 | 3 | 3/8" Stainless steel set screws. | 1.32 g. ea. |

-Mild Steel bollard sleeves over existing interior concrete-embedded pipe. Bollard is fastened to interior pipe with stainless steel set screws.

-Footer detail is for reference only; proper footer construction depends on local soil conditions and engineering requirements.