

# Type P - Pipe Mount

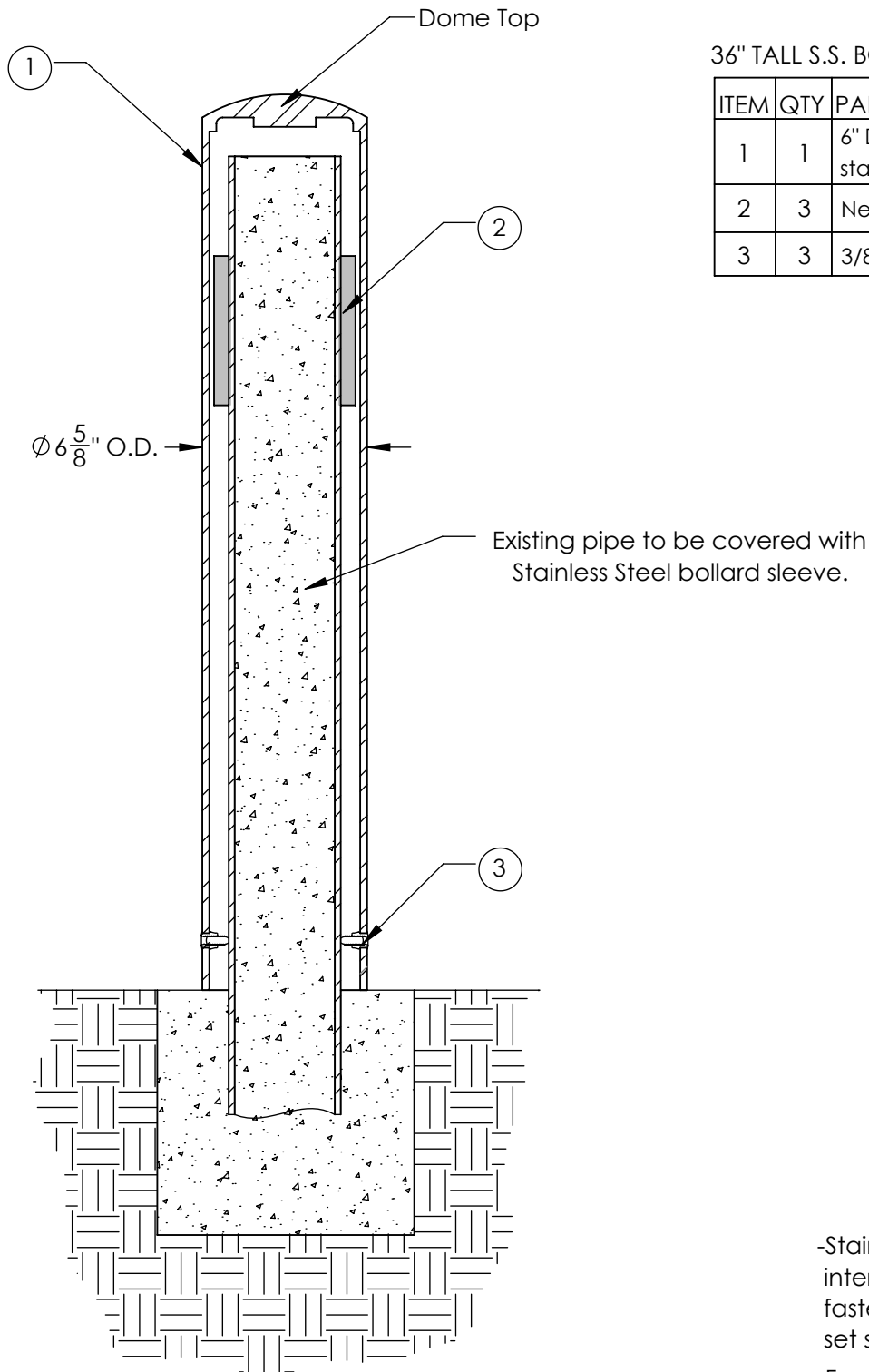
Series: Derby

Product Number: 350-SD



**BOLLARDSUSA**

A DIVISION OF JR HOE



## 36" TALL S.S. BOLLARD SLEEVE

ITEM	QTY	PART	WEIGHT
1	1	6" Dome top schedule #40 stainless steel bollard cover.	61.5 lbs.
2	3	Neoprene foam spacer strips	13.2 g. ea.
3	3	3/8" Stainless steel set screws.	1.32 g. ea.

-Stainless steel bollard sleeves over existing interior concrete-embedded pipe. Bollard is fastened to interior pipe with stainless steel set screws.

-Footer detail is for reference only; proper footer construction depends on local soil conditions and engineering requirements.