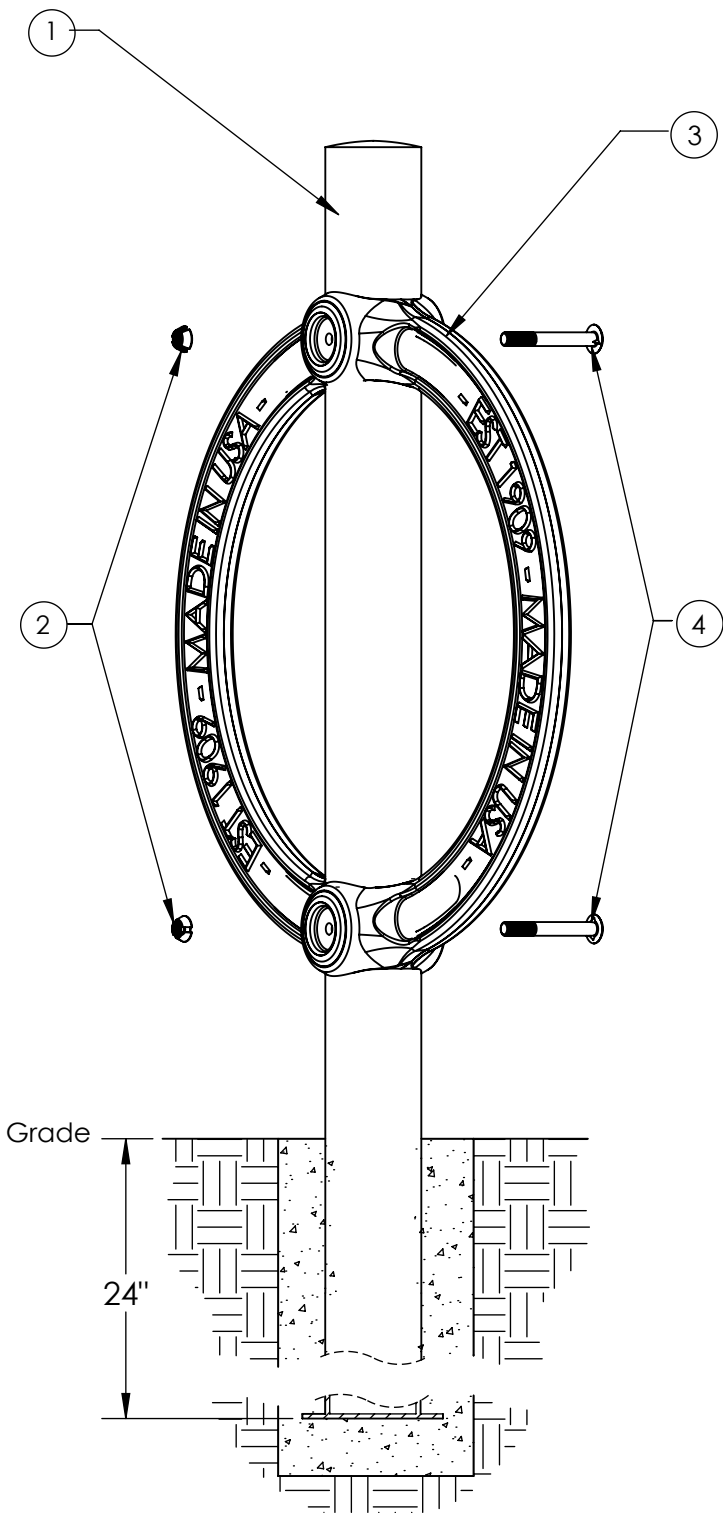


Type G - Ground Mount

Series: Momentum

Product Number: 225 - HP



ITEM	QTY	PART	WEIGHT
1	1	3" Schedule 40 pipe.	19.6 LBS.
2	2	1/2" Tri-Groove security nuts secure casting to pipe.	0.06 LBS.
3	1	225-HP hitching post casting.	52 LBS.
4	4	1/2" Carriage bolts.	0.49 LBS.

-3in Sched. 40 steel pipe is erected according to contractor specifications. Hitching post casting sleeves over pipe. 1/2" Carriage bolts and Tri-Groove security nuts secure casting to pipe.

-Footer detail is for reference only; proper footer construction depends on local soil conditions and engineering requirements.