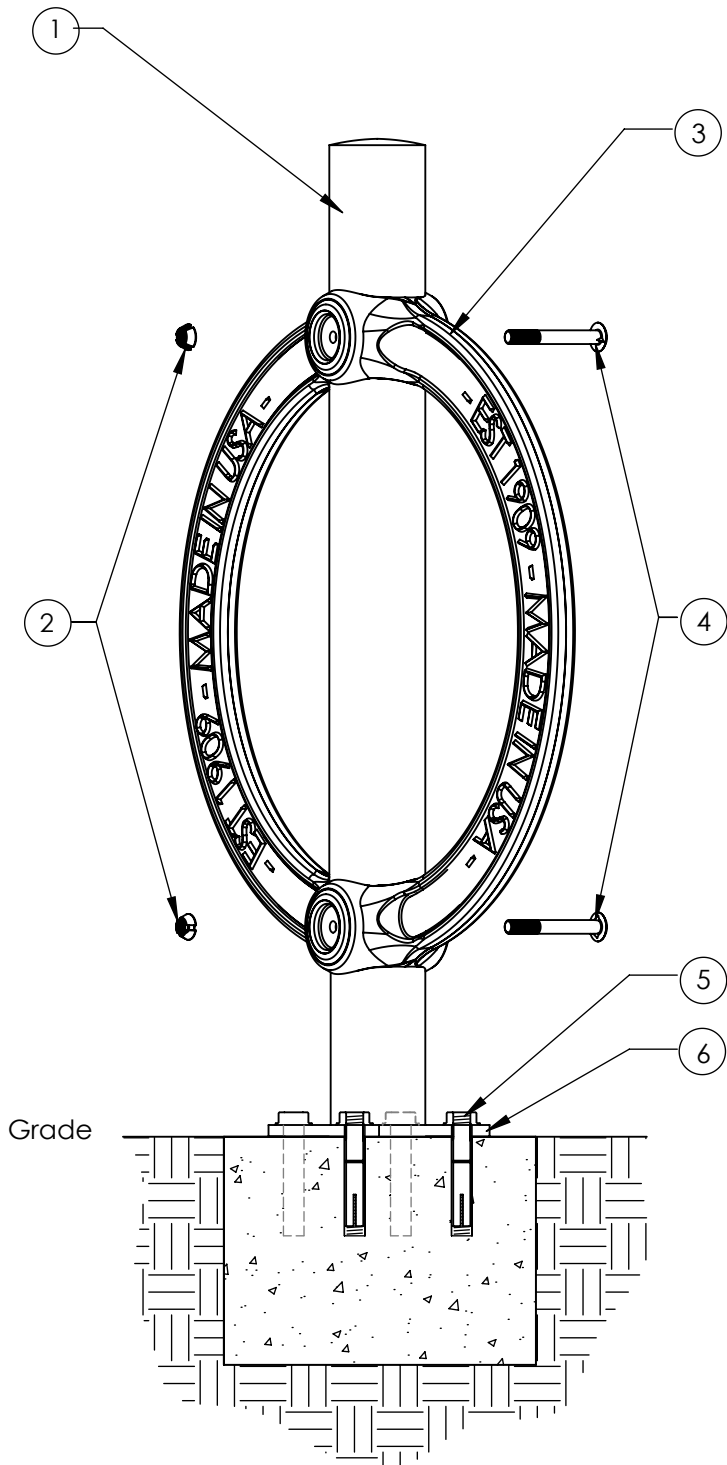


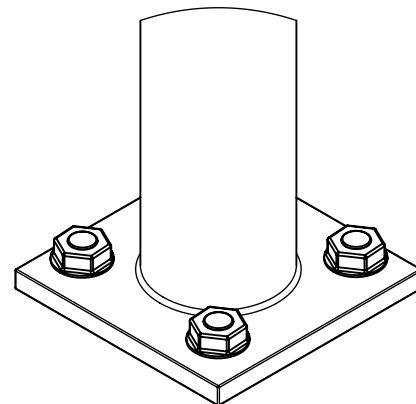
Type B - Bolt Down Mount

Series: Momentum

Product Number: 225 - HP



ITEM	QTY	PART	WEIGHT
1	1	3" Schedule 40 pipe.	19.6 LBS.
2	2	1/2" Tri-Groove security nuts secure casting to pipe.	0.06 LBS.
3	1	225-HP hitching post casting.	52 LBS.
4	2	1/2" Carriage bolts.	0.49 LBS.
5	4	5/8" x 4" S.S. Anchor Bolts	3 LBS.
6	1	6"x6"x.5" Steel Base plate	5 LBS.



Isometric View of Bolt Down Base

-3in Sched. 40 steel pipe is welded to 1/2" x 6"x6" steel base plate with (4) 5/8" holes for anchor bolts to secure to concrete. Hitching post casting sleeves over pipe. 1/2" Carriage bolts and Tri-Groove security nuts secure casting to pipe.

-Footer detail is for reference only; proper footer construction depends on local soil conditions and engineering requirements.