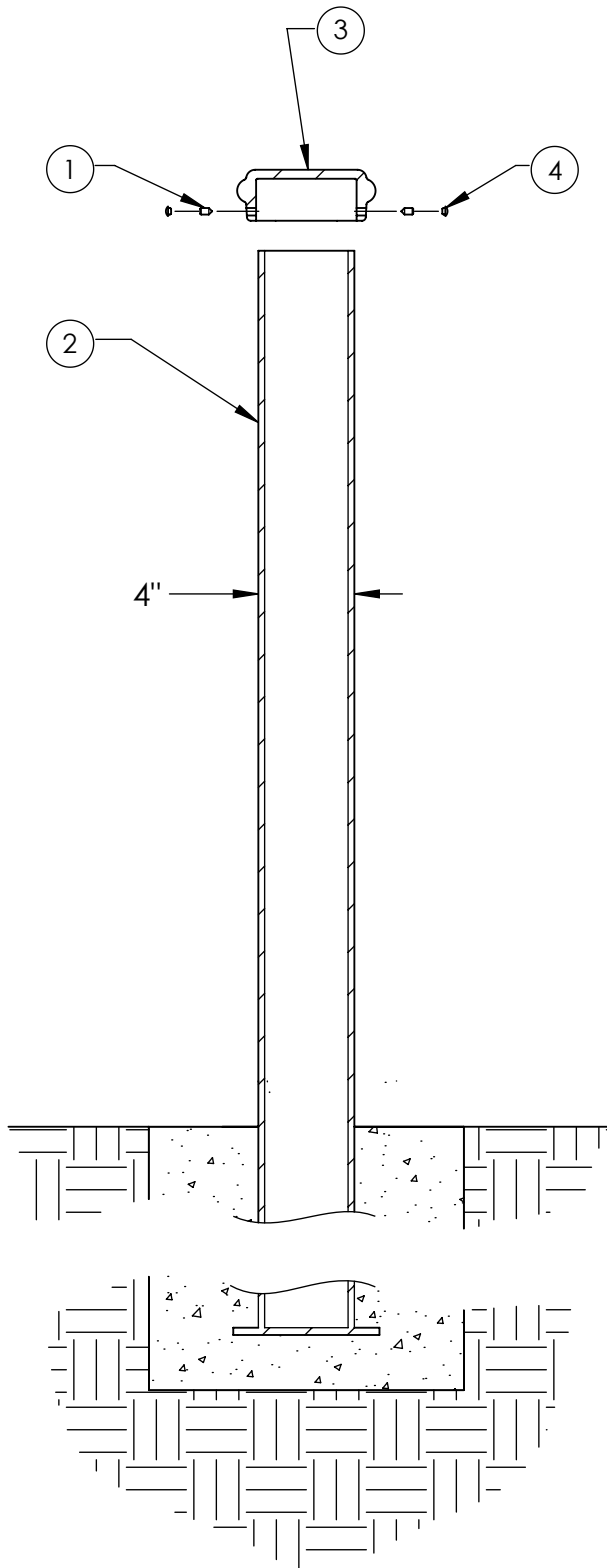


# Type G - Ground Mount

Series: Township

Product Number: 200-TP



ITEM	QTY	PART	WEIGHT
1	2	3/8" Stainless Steel set screws.	3.7 g. ea.
2	1	4" x 4" HSS tube steel bollard cover.	85.8 lbs.
3	1	4"x4" cast Iron cap	6.6 lbs.
4	2	Plastic screw caps.	.18 g. ea.

-Steel bollard to be embedded in concrete footer to a suggested depth of 24". Township cap to be locked in place by tightened cap set screws.

-Footer detail is for reference only; proper footer construction depends on local soil conditions and engineering requirements.