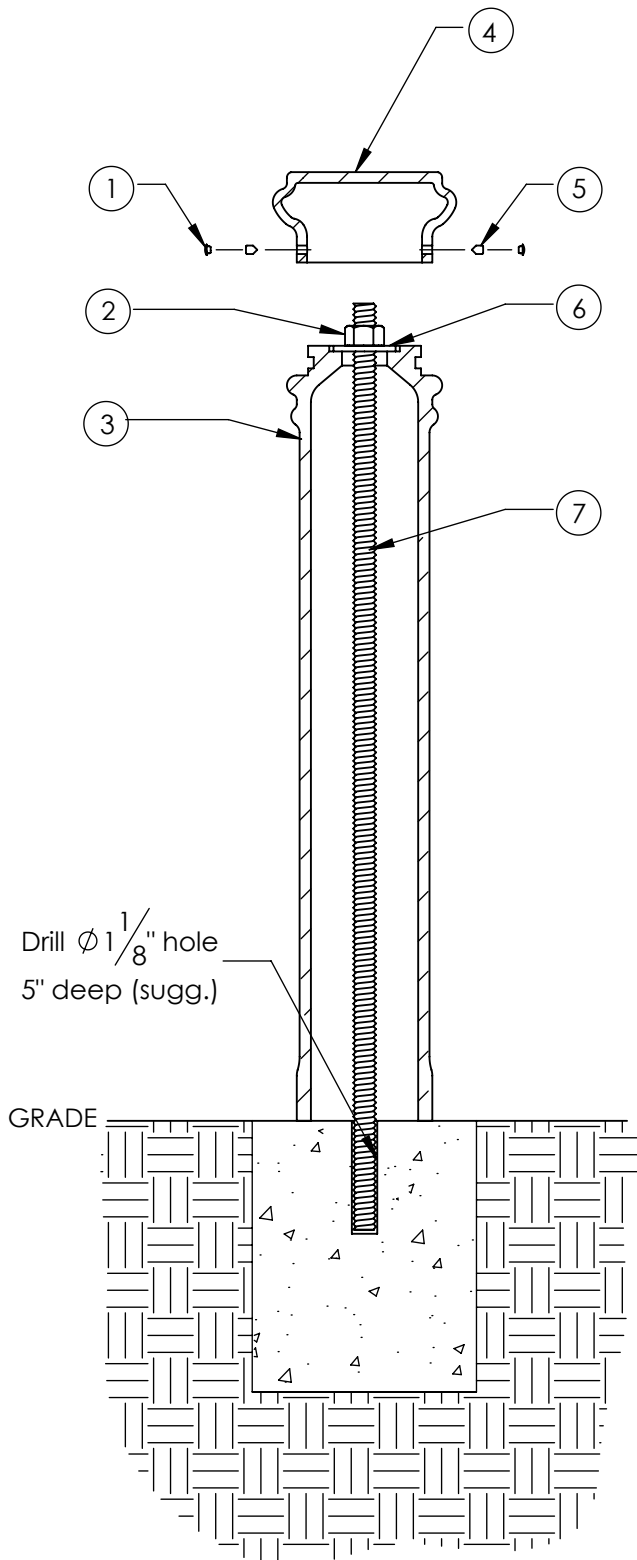


Type S - Surface Mount

Series: Broadway

Product: 160 - RP



ITEM	QTY	PART	WEIGHT
1	2	Plastic screw caps .	.18 g. ea.
2	2	1" Stainless steel nut.	.34 lbs. ea.
3	1	Cast Iron plain B1 body.	80.6 lbs.
4	1	Cast Iron round bollard top.	13.6 lbs.
5	2	3/8" stainless steel set screws.	3.7 g. ea.
6	1	1" stainless steel washer.	.36 lbs.
7	1	40"-long 1" dia. stainless steel all-thread.	7.3 lbs.

-Anchor threaded rod into concrete with anchoring adhesive, tighten 1" nut onto washer securing bollard in place, use set screws to secure round top.

-Footer detail is for reference only; proper footer construction depends on local soil conditions and engineering requirements.