

# Type R2 - Padlock

Series: 160 Broadway

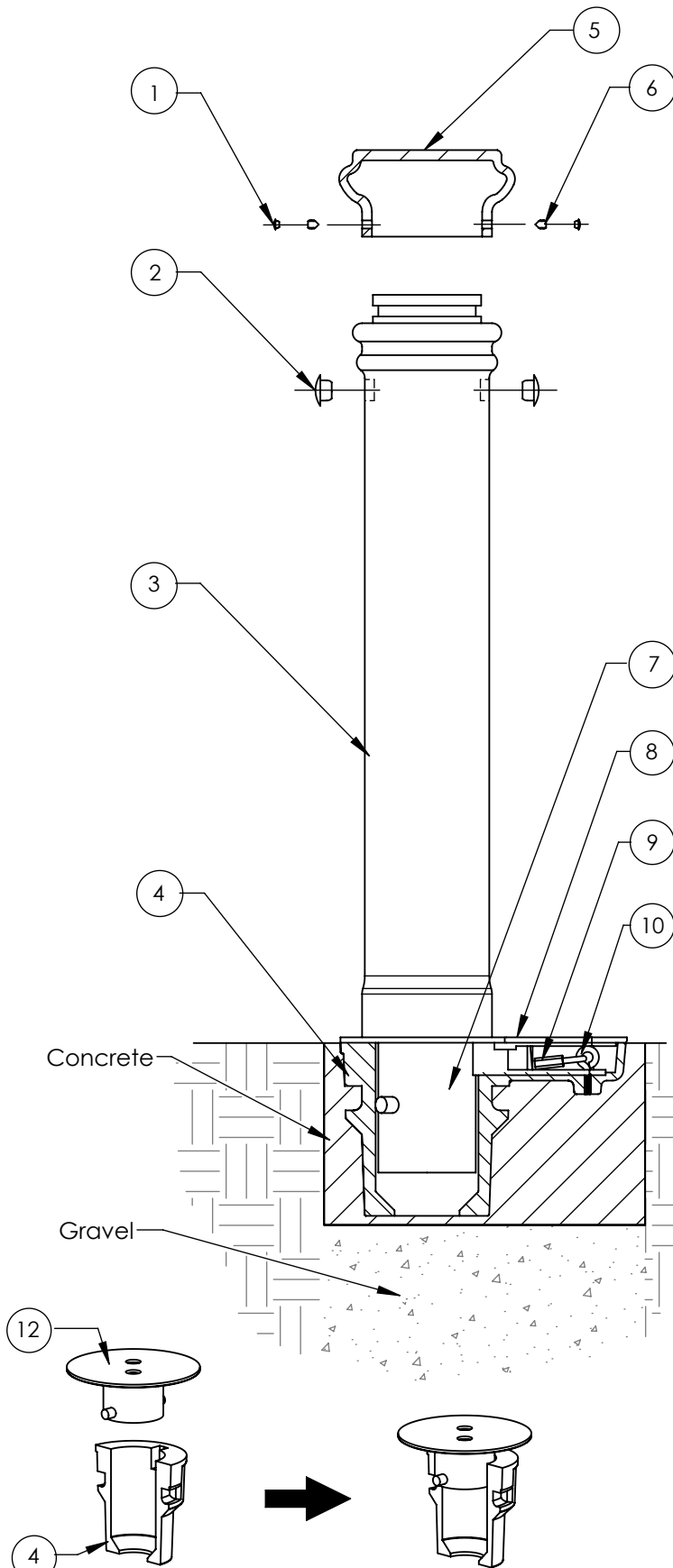
Product Number: 160-RP



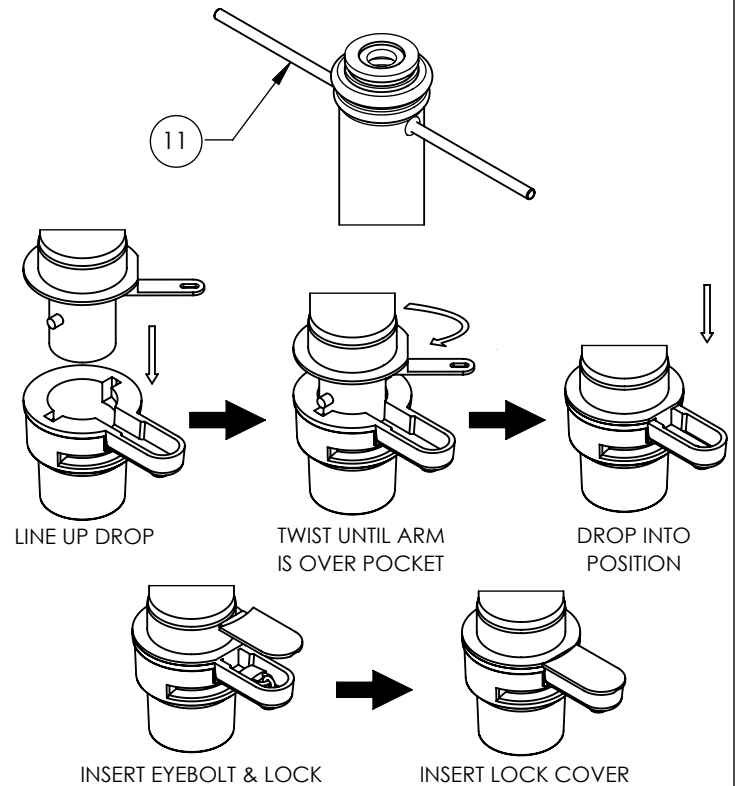
**BOLLARDSUSA**

A DIVISION OF JR HOE

ITEM	QTY	PART	WEIGHT
1	2	3/8" Plastic screw caps.	.18 g. ea.
2	2	1" Plastic bar hole caps.	5 g. ea.
3	1	160 Cast Iron plain body.	80.6 lbs.
4	1	160 Cast Iron R-2 Base.	36.7 lbs.
5	1	6" Cast Iron Round top.	13.6 lbs.
6	2	3/8" Stainless steel set screws.	2.7 g. ea.
7	1	160 Steel R2 locking pipe	15.8 lbs.
8	1	Plastic padlock cover	82 g.
9	1	Steel padlock	.3 lbs.
10	1	Threaded eyebolt	27 g.
11	1	30" Steel Install/Removal Bar.	3.8 lbs.
12	1	Removable steel plug.	9.25 lbs.



INSTALLATION OF STEEL COVER



-Slide installation bar through openings in top of bollard, lower bollard into iron R2 insert seated on top of gravel for drainage, rotate bollard clockwise until it drops into place with locking pipe slotted arm seated in iron R2 insert. Use eyebolt with padlock to secure bollard in place, use set screws to secure Round top.

-Footer detail is for reference only; proper footer construction depends on local soil conditions and engineering requirements.