

Type R3 - Sidewall Bolt

Series: 160 Broadway

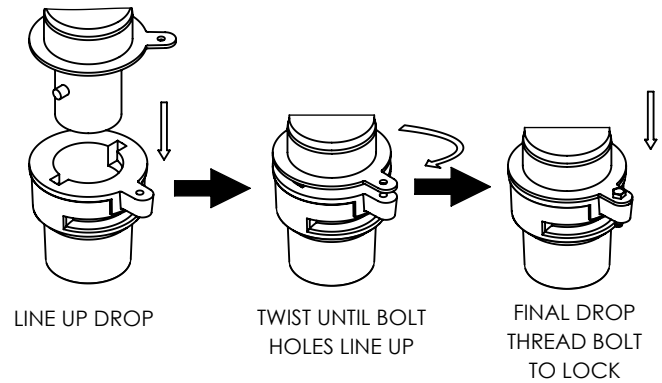
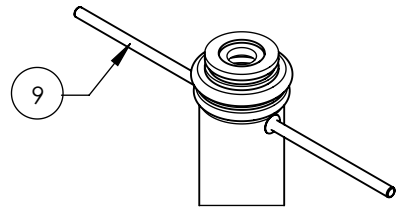
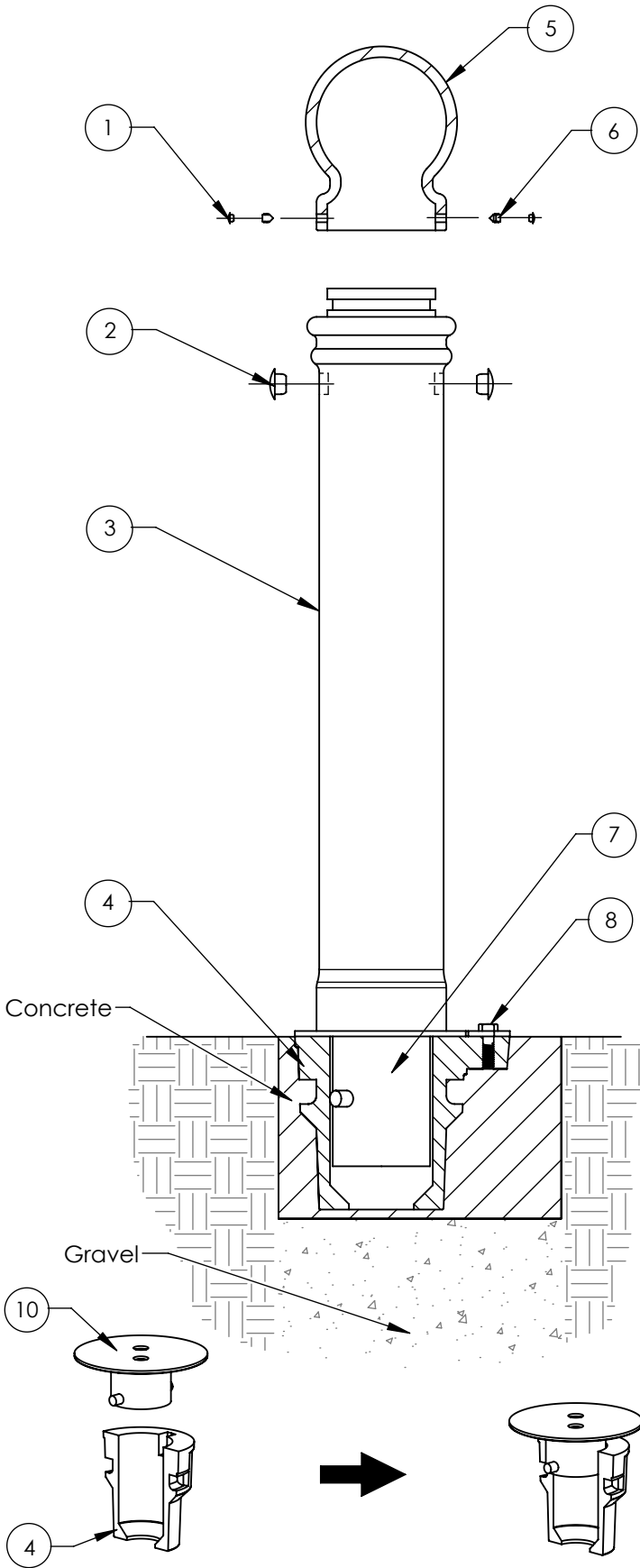
Product Number: 160-GP



BOLLARDSUSA

A DIVISION OF JR HOE

ITEM	QTY	PART	WEIGHT
1	2	3/8" Plastic screw caps.	.18 g. ea.
2	2	1" Plastic bar hole caps.	5 g. ea.
3	1	160 Cast Iron plain body.	80.6 lbs.
4	1	160 Cast Iron R-3 insert.	38 lbs.
5	1	6" Cast Iron Globe top.	20.6 lbs.
6	2	3/8" Stainless steel set screws.	2.7 g. ea.
7	1	160 Steel R3 locking pipe	14.6 lbs.
8	1	1/2" Penta Head Bolt	78 g.
9	1	30" Steel Install/Removal Bar.	3.8 lbs.
10	1	Removable steel plug.	9.25 lbs.



-Slide installation bar through openings in top of bollard, lower bollard into R3 insert seated on top of gravel for drainage, rotate bollard clockwise until it drops into place with Bolt hole on bollard base lined up over bolt hole on R3 insert. Use Penta-head bolt to secure bollard in place, use set screws to secure Globe top.

-Footer detail is for reference only; proper footer construction depends on local soil conditions and engineering requirements.

INSTALLATION OF STEEL COVER