

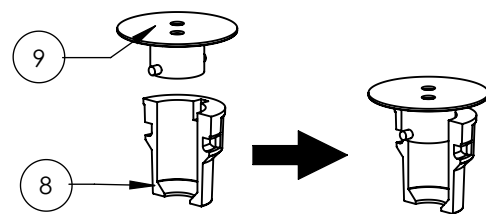
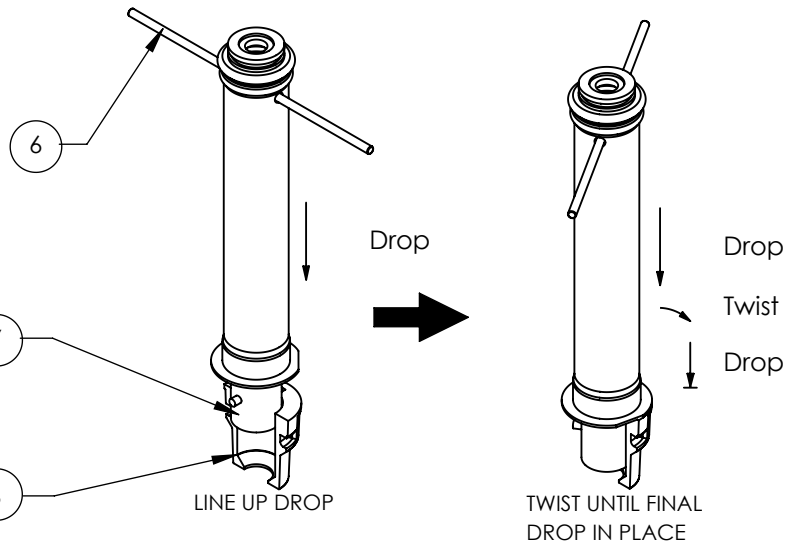
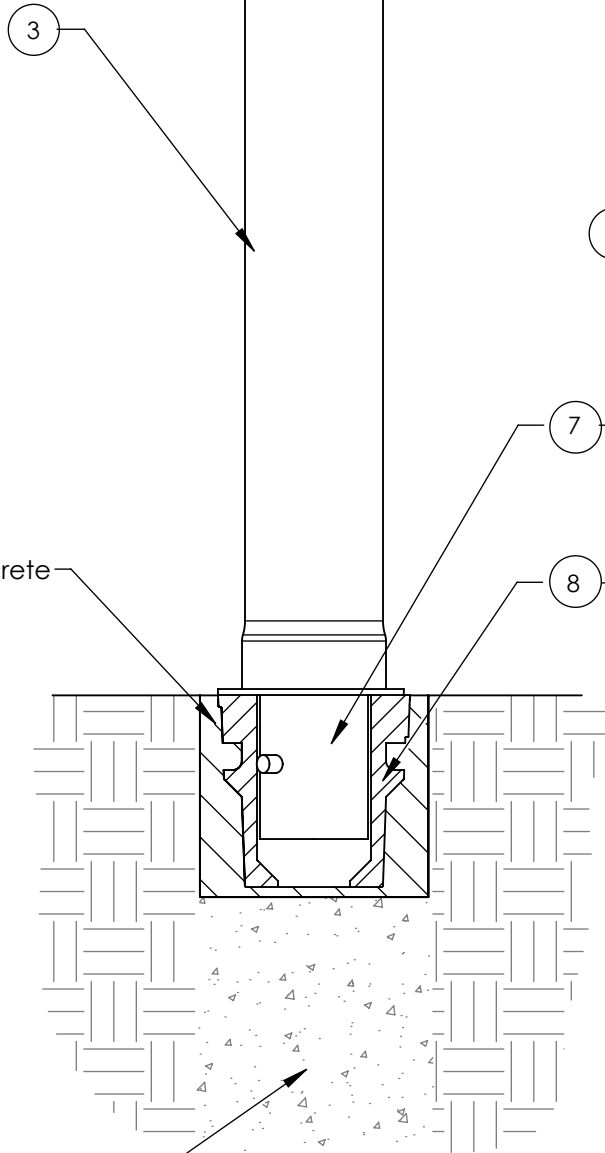
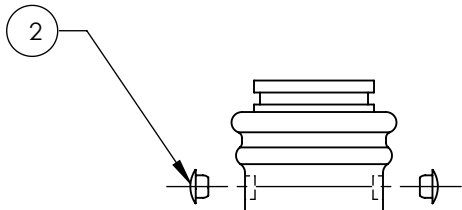
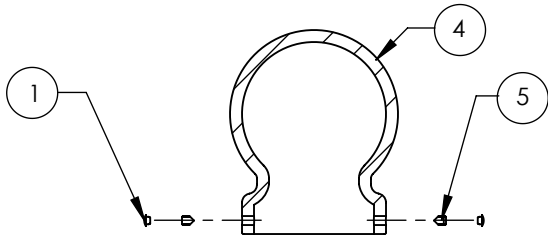


# Type R1 - Twist & Lock

Series: 160 Broadway

Product Number: 160-GP

ITEM	QTY	PART	WEIGHT
1	2	3/8" Plastic screw caps.	.18 g. ea.
2	2	1" Plastic bar hole caps.	5 g. ea.
3	1	160 Cast Iron plain body.	80.6 lbs.
4	1	6" Cast Iron Globe top.	20.6 lbs.
5	2	3/8" Stainless steel set screws.	2.7 g. ea.
6	1	30" Steel Install/Removal Bar.	3.8 lbs.
7	1	160 Steel R1 locking pipe.	14.4 lbs.
8	1	160 Cast Twist & Lock R1 insert.	35.9 lbs.
9	1	Removable steel plug.	9.25 lbs.



-Slide installation bar through openings in top of bollard, lower bollard into cast R1 insert seated on top of gravel for drainage, rotate bollard clockwise until it drops into place, use set screws to secure Globe top.

-Footer detail is for reference only; proper footer construction depends on local soil conditions and engineering requirements.