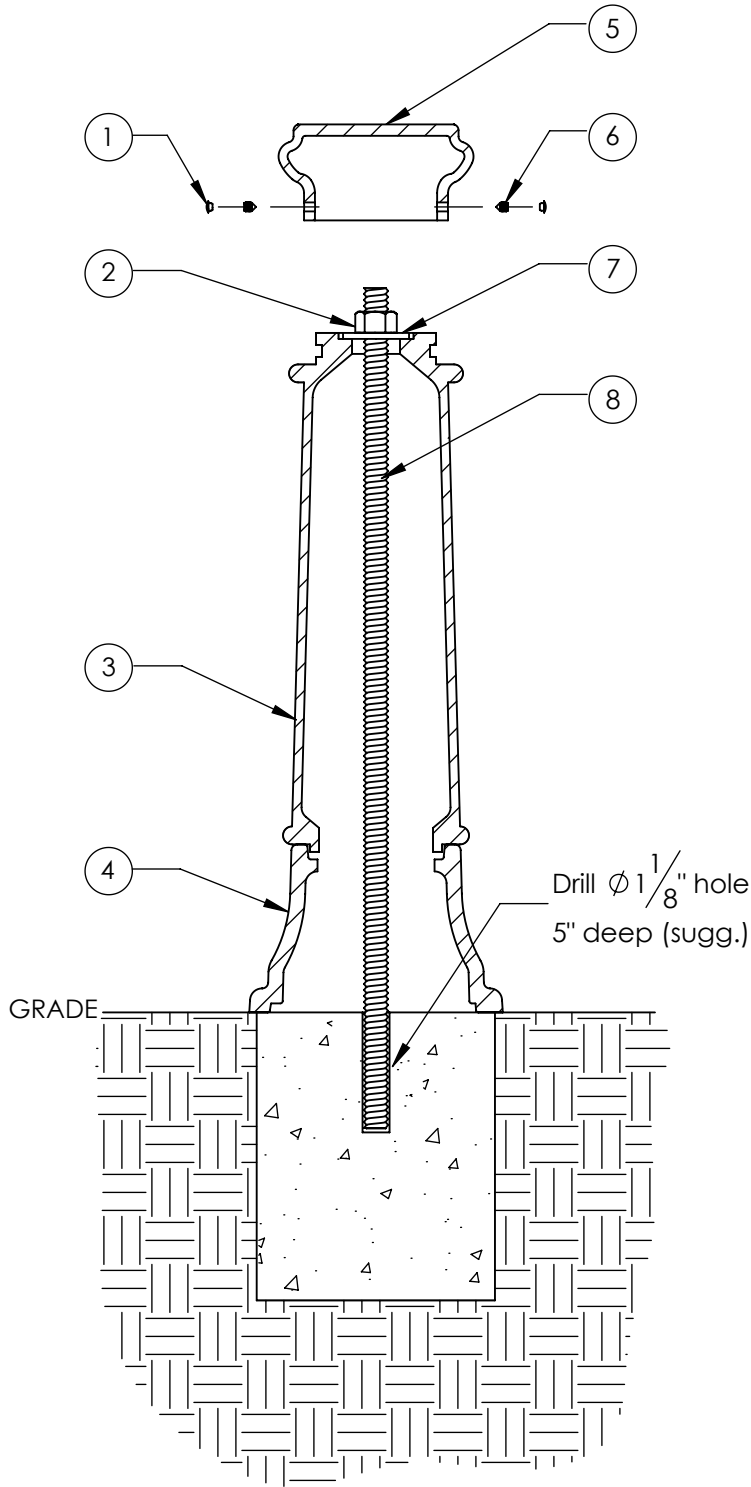




# Type S - Surface Mount

Series: Classic

Product Number: 150-RS



ITEM	QTY	PART	WEIGHT
1	2	Plastic screw caps.	.18 g. ea.
2	1	1" Stainless steel nuts.	.34 lbs.
3	1	Cast Iron plain bollard body.	51.6 lbs.
4	1	Cast Iron step bollard base.	32.3 lbs.
5	1	Cast Iron round bollard top.	13.6 lbs.
6	2	3/8" Stainless steel set screws.	3.7 g. ea.
7	1	1" Stainless steel washer.	.36 lbs.
8	1	35"-long 1" dia. stainless steel all-thread.	6.35 lbs.

-Anchor threaded rod into concrete with anchoring adhesive, tighten 3/4" nut onto washer securing bollard in place, use set screws to secure round top.

-Footer detail is for reference only; proper footer construction depends on local soil conditions and engineering requirements.