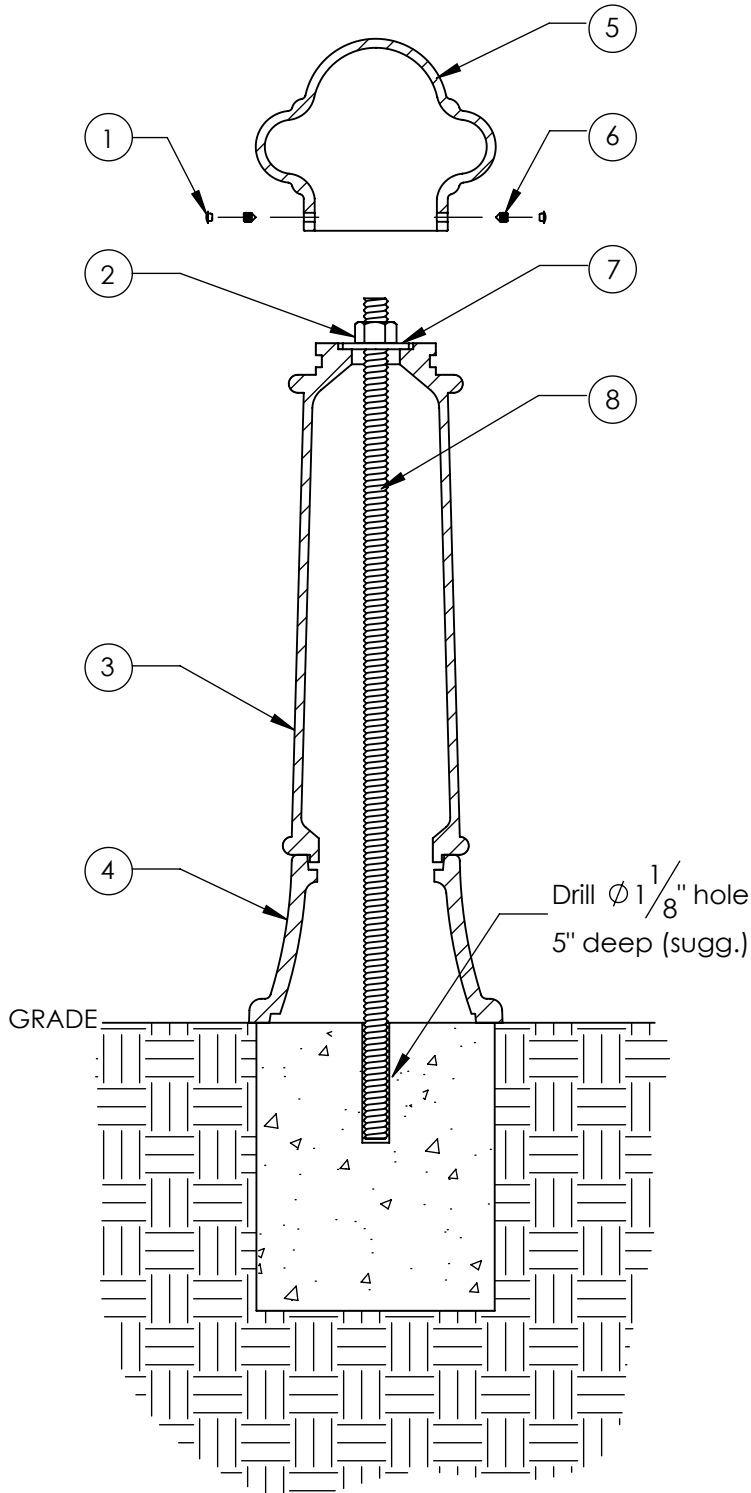




Type S - Surface Mount

Series: Classic

Product Number: 150-QT



| ITEM | QTY | PART | WEIGHT |
|------|-----|----------------------------------------------|------------|
| 1 | 2 | Plastic screw caps. | .18 g. ea. |
| 2 | 1 | 1" Stainless steel nuts. | .34 lbs. |
| 3 | 1 | Cast Iron plain bollard body. | 51.6 lbs. |
| 4 | 1 | Cast Iron taper bollard base. | 31.7 lbs. |
| 5 | 1 | Cast Iron queen bollard top. | 23.2 lbs. |
| 6 | 2 | 3/8" Stainless steel set screws. | 3.7 g. ea. |
| 7 | 1 | 1" Stainless steel washer. | .36 lbs. |
| 8 | 1 | 35"-long 1" dia. stainless steel all-thread. | 6.35 lbs. |

-Anchor threaded rod into concrete with anchoring adhesive, tighten 3/4" nut onto washer securing bollard in place, use set screws to secure queen top.

-Footer detail is for reference only; proper footer construction depends on local soil conditions and engineering requirements.