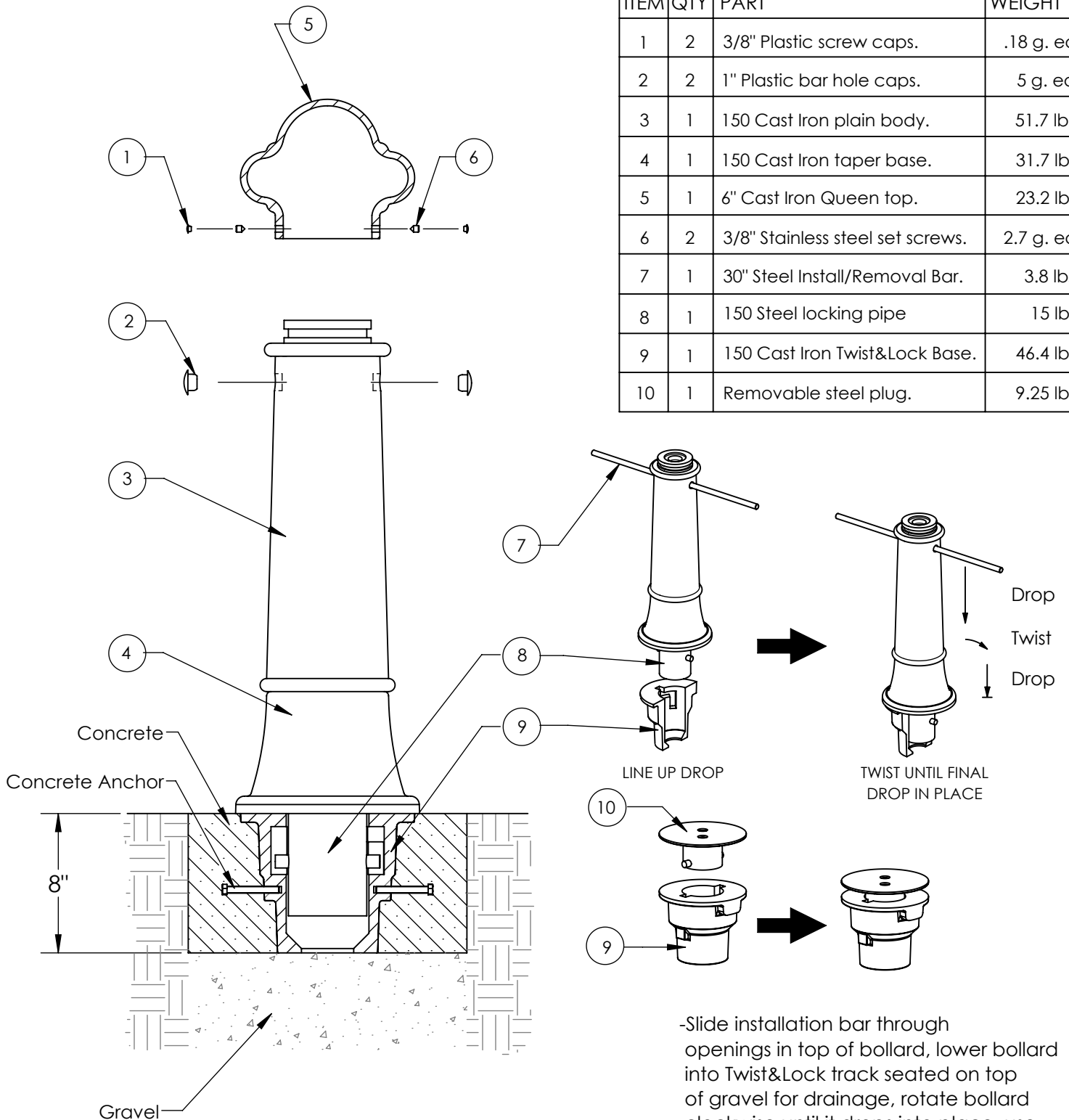


Type R1 - Twist & Lock

Series: 150 Century

Product Number: 150-QT

| ITEM | QTY | PART | WEIGHT |
|------|-----|----------------------------------|------------|
| 1 | 2 | 3/8" Plastic screw caps. | .18 g. ea. |
| 2 | 2 | 1" Plastic bar hole caps. | 5 g. ea. |
| 3 | 1 | 150 Cast Iron plain body. | 51.7 lbs. |
| 4 | 1 | 150 Cast Iron taper base. | 31.7 lbs. |
| 5 | 1 | 6" Cast Iron Queen top. | 23.2 lbs. |
| 6 | 2 | 3/8" Stainless steel set screws. | 2.7 g. ea. |
| 7 | 1 | 30" Steel Install/Removal Bar. | 3.8 lbs. |
| 8 | 1 | 150 Steel locking pipe | 15 lbs. |
| 9 | 1 | 150 Cast Iron Twist&Lock Base. | 46.4 lbs. |
| 10 | 1 | Removable steel plug. | 9.25 lbs. |



-Slide installation bar through openings in top of bollard, lower bollard into Twist&Lock track seated on top of gravel for drainage, rotate bollard clockwise until it drops into place, use set screws to secure queen top.

-Footer detail is for reference only; proper footer construction depends on local soil conditions and engineering requirements.