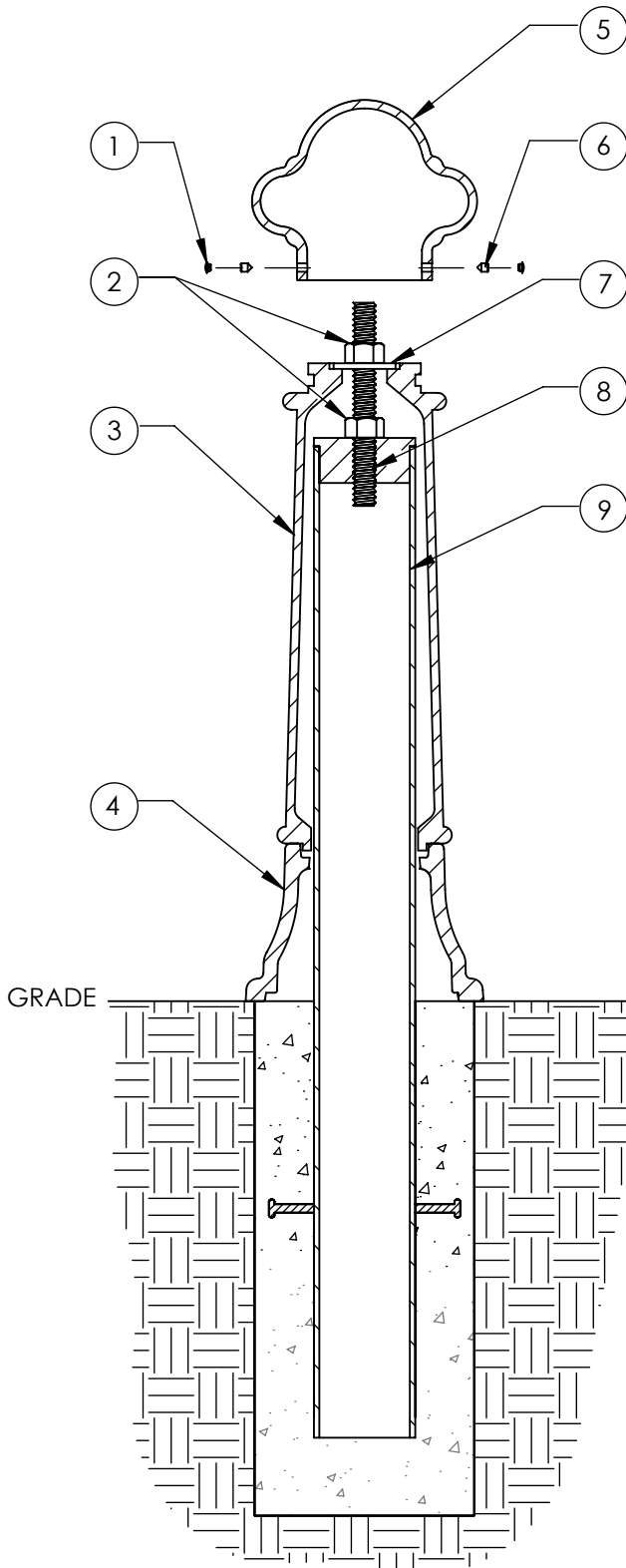


Type P - Pipe Mount

Series: Classic

Product Number: 150-QS



ITEM	QTY	PART	WEIGHT
1	2	Plastic screw caps.	.18 g. ea.
2	2	1" Stainless steel nuts.	.34 lbs. ea.
3	1	Cast Iron plain bollard body.	51.6 lbs.
4	1	Cast Iron step bollard base.	32.3 lbs.
5	1	Cast Iron queen bollard top.	23.2 lbs.
6	2	3/8" Stainless steel set screws.	3.7 g. ea.
7	1	1" Stainless steel washer.	.36 lbs.
8	1	9"-Long 1" dia. stainless steel all-thread.	1.64 lbs.
9	1	4" diameter sched. 40 steel pipe, 48" length, with threaded plug attached.	47.4 lbs.

-Install interior pipe according to engineering requirements, screw threaded rod into threaded plug on top of pipe, tighten 1" nut onto washer securing bollard in place, then use set screws to secure queen top on tightly.

-Footer detail is for reference only; proper footer construction depends on local soil conditions and engineering requirements.