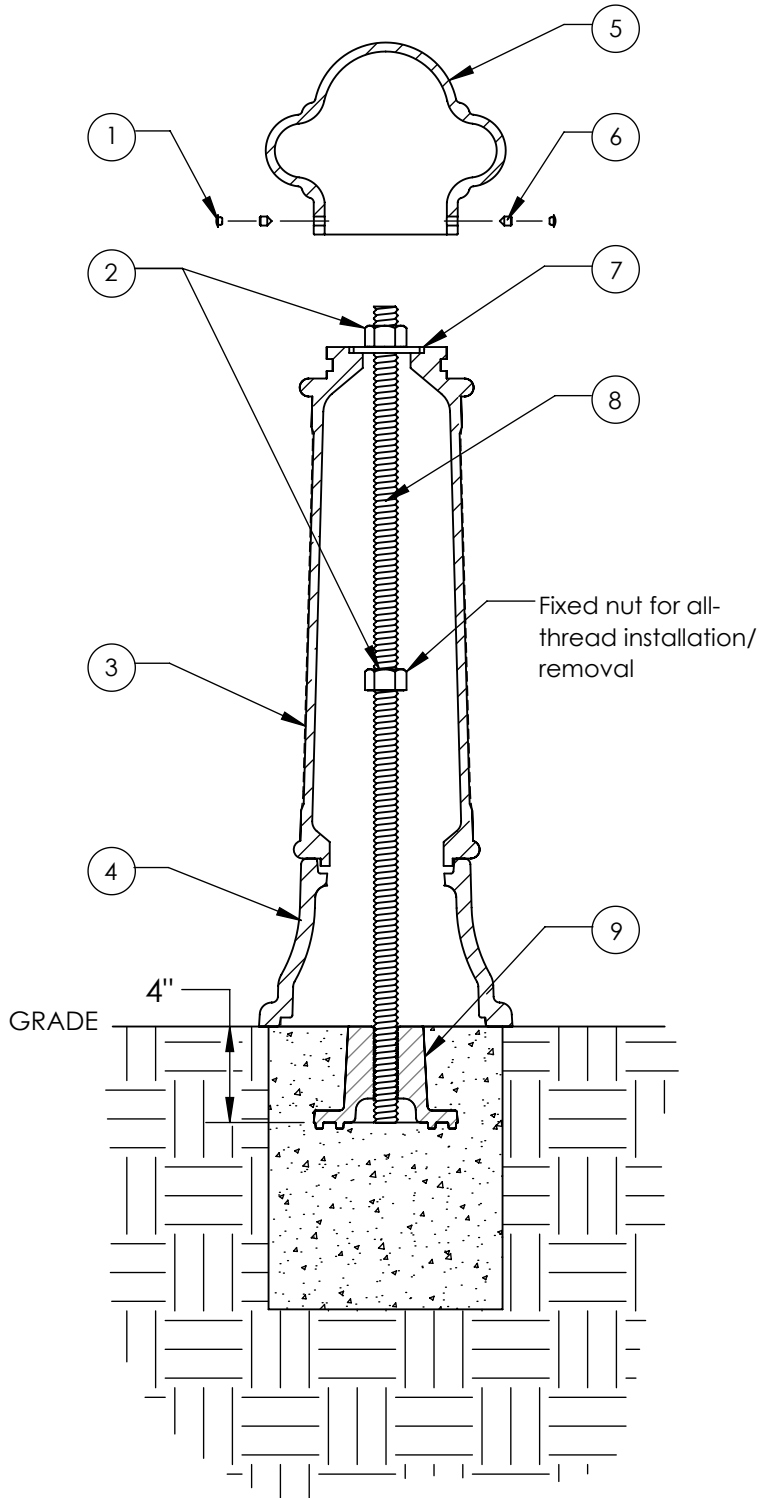




Type I - Iron Base Mount

Series: Classic

Product Number: 150-QSF



ITEM	QTY	PART	WEIGHT
1	2	Plastic screw caps .	.18 g. ea.
2	2	1" Stainless steel nut.	.34 lbs. ea.
3	1	Cast Iron fluted bollard body.	58 lbs.
4	1	Cast Iron step bollard base.	32.3 lbs.
5	1	Cast Iron queen bollard top.	23.2 lbs.
6	2	3/8" stainless steel set screws.	3.7 g. ea.
7	1	1" stainless steel washer.	.36 lbs.
8	1	35"-long 1" dia. stainless steel all-thread.	6.35 lbs.
9	1	Ductile iron mounting base.	9.6 lbs.

-Insert threaded rod into conc-embedded anchor casting, tighten 1" nut onto washer securing bollard in place, use set screws to secure Queen top.

-Footer detail is for reference only; proper footer construction depends on local soil conditions and engineering requirements.