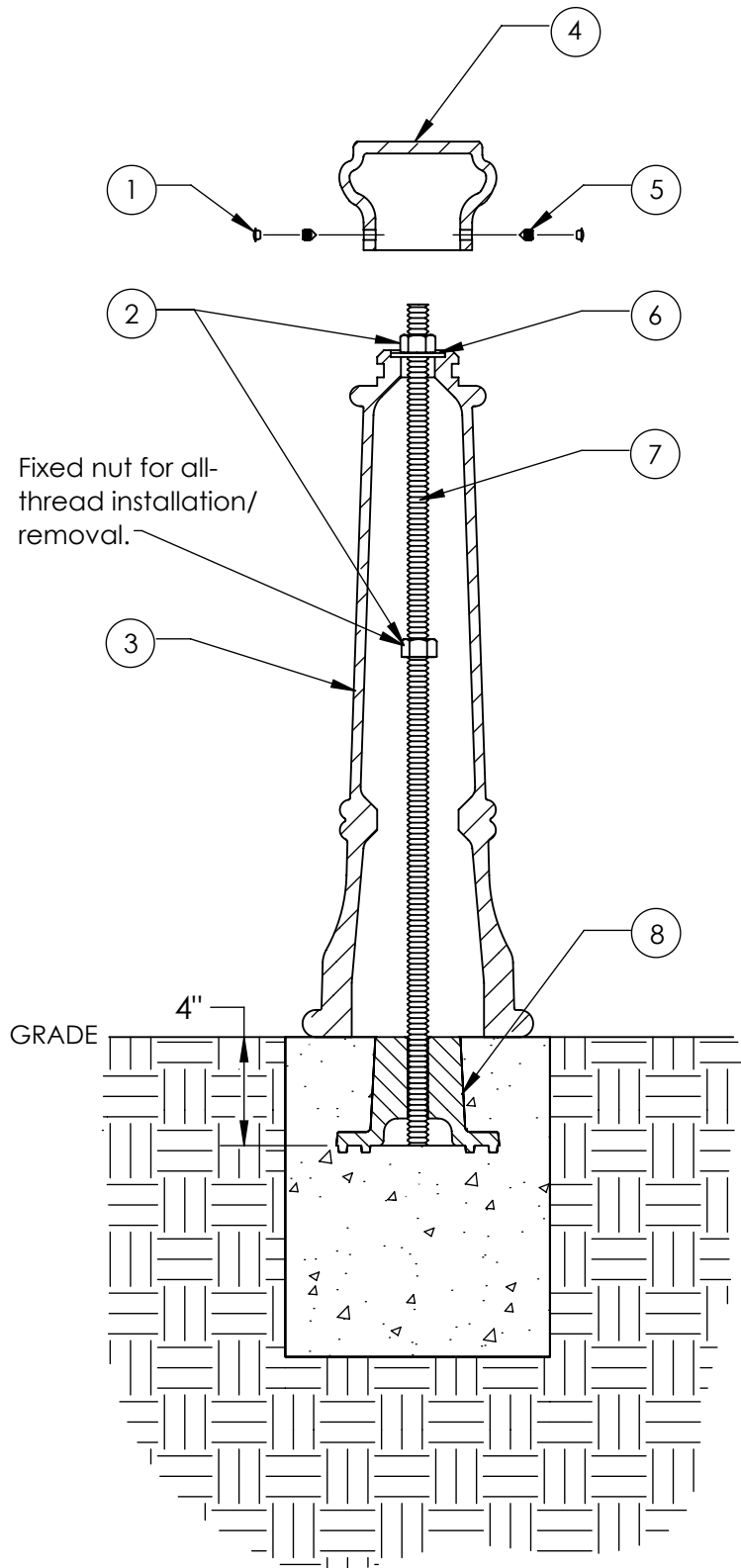


Type I - Iron Base Mount

Series: Promenade

Product: 100-RS



ITEM	QTY	PART	WEIGHT
1	2	Plastic screw caps.	.18g ea.
2	2	3/4" Stainless steel nut.	.14 lbs. ea.
3	1	Cast iron step plain pedestal.	60.6 lbs.
4	1	Cast iron small round top.	7.9 lbs.
5	2	3/8" Stainless steel set screws.	3.7g ea.
6	1	3/4" Stainless steel washer.	.11 lbs.
7	1	31"-long 3/4" dia. stainless steel all-thread.	3.0 lbs.
8	1	Ductile Iron mounting base.	9.85 lbs.

-Insert threaded rod into concrete-embedded anchor casting, tighten 3/4" nut onto washer securing bollard in place, use set screws to secure round top.

-Footer detail is for reference only; proper footer construction depends on local soil conditions and engineering requirements.