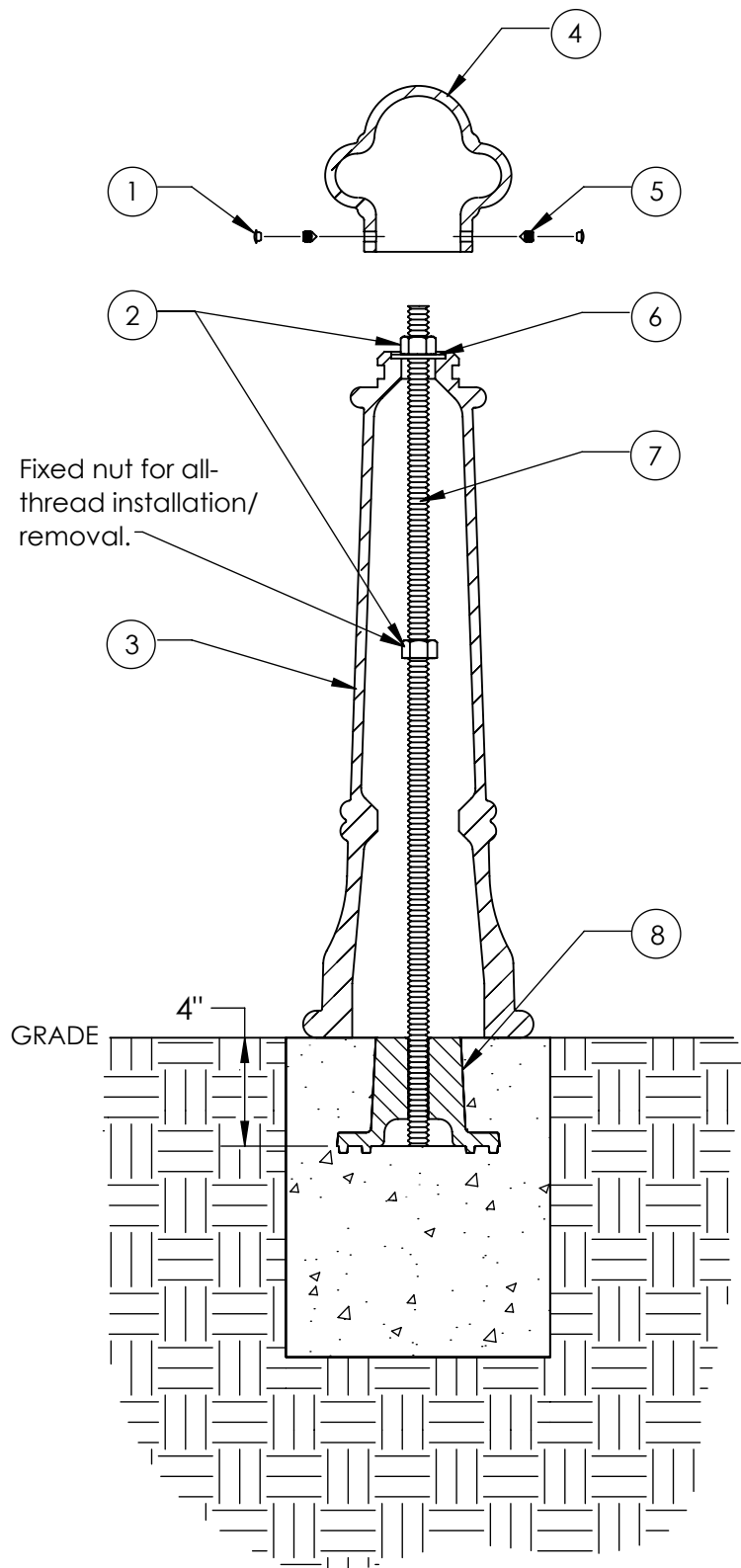


Type I - Iron Base Mount

Series: Promenade

Product: 100-QS



| ITEM | QTY | PART | WEIGHT |
|------|-----|------------------------------------------------|-------------|
| 1 | 2 | Plastic screw caps. | .18g ea. |
| 2 | 2 | 3/4" Stainless steel nut. | .14lbs. ea. |
| 3 | 1 | Cast iron step plain pedestal. | 60.6 lbs. |
| 4 | 1 | Cast iron small queen top. | 11.4 lbs. |
| 5 | 2 | 3/8" Stainless steel set screws. | 3.7g ea. |
| 6 | 1 | 3/4" Stainless steel washer. | .11 lbs. |
| 7 | 1 | 31"-long 3/4" dia. stainless steel all-thread. | 3.0 lbs. |
| 8 | 1 | Ductile Iron mounting base. | 9.85 lbs. |

-Insert threaded rod into concrete-embedded anchor casting, tighten 3/4" nut onto washer securing bollard in place, use set screws to secure queen top.

-Footer detail is for reference only; proper footer construction depends on local soil conditions and engineering requirements.