

Made in the USA

**MATERIAL**  
ASTM Type 316 Stainless Steel

**SLEEVE WEIGHT**  
91.5 LBS.

**FINISH**  
#4 Brushed Satin Stainless Steel

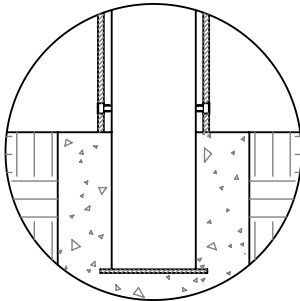
**INSTALLATION**  
MOUNTING OPTIONS AVAILABLE  
-Type P - Pipe Mount  
-Type G - Ground Mount  
-Type B - Bolt Down Mount

See specific Installation drawings for each mounting option. The installation drawing will show the component weight chart, mounting instructions, and details.

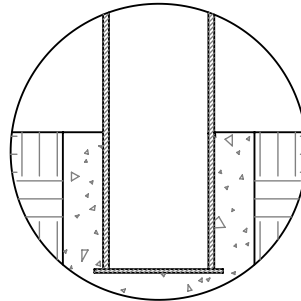
**CUSTOMIZATION**

BollardsUSA provides custom bollard sizing and installation solutions to meet project requirements. Contact sales for custom or modified product inquiries.

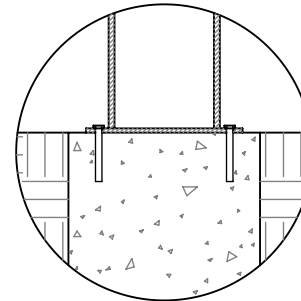
**TYPE P**  
Pipe Mount



**TYPE G**  
Ground Mount



**TYPE B**  
Bolt Down Mount



Series: Derby

Product No.

**380-SF**



**BOLLARDSUSA**  
A DIVISION OF JR HOE