

Made in the USA

**MATERIAL**  
ASTM Type 316 Stainless Steel

**SLEEVE WEIGHT**  
61.7 LBS.

**FINISH**  
#4 Brushed Satin Stainless Steel

**INSTALLATION**

**MOUNTING OPTIONS AVAILABLE**

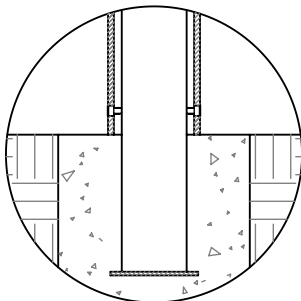
- Type P - Pipe Mount
- Type G - Ground Mount
- Type B - Bolt Down Mount

See specific Installation drawings for each mounting option. The installation drawing will show the component weight chart, mounting instructions, and details.

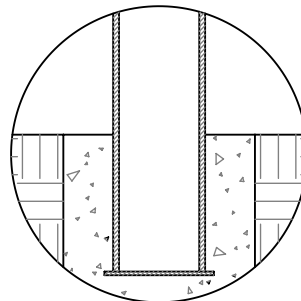
**CUSTOMIZATION**

BollardsUSA provides custom bollard sizing and installation solutions to meet project requirements. Contact sales for custom or modified product inquiries.

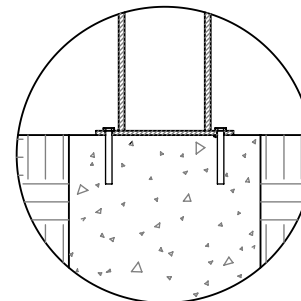
**TYPE P**  
Pipe Mount



**TYPE G**  
Ground Mount



**TYPE B**  
Bolt Down Mount



Series: Derby

Product No.

**350-SD**



**BOLLARDSUSA**

A DIVISION OF JR HOE