

Available in 25 standard colors
(Shown in Timeless Bronze)



Made in the USA

MATERIAL
A36 Mild Steel

SLEEVE WEIGHT
35.2 LBS.

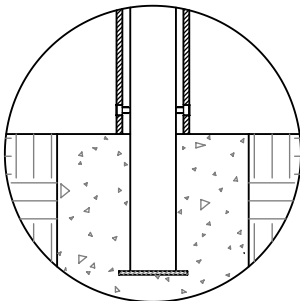
FINISH
POWDER COAT FINISH
1 coat zinc rich epoxy primer + 1 coat
Super Durable polyester powder coating.
Available in 25 colors.

INSTALLATION
MOUNTING OPTIONS AVAILABLE
-Type P - Pipe Mount
-Type G - Ground Mount
-Type B - Bolt Down Mount

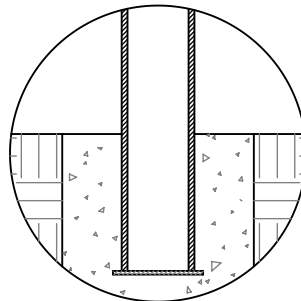
See specific Installation drawings for each mounting option. The installation drawing will show the component weight chart, mounting instructions, and details.

CUSTOMIZATION
BollardsUSA provides custom bollard sizing and installation solutions to meet project requirements. Contact sales for custom or modified product inquiries.

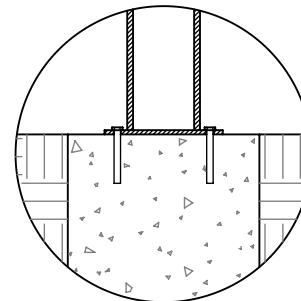
TYPE P
Pipe Mount



TYPE G
Ground Mount



TYPE B
Bolt Down Mount



Series: Bastion

Product No.
310-SD



BOLLARDSUSA
A DIVISION OF JR HOE