



Made in the USA

MATERIAL
ASTM Type 316 Stainless Steel

SLEEVE WEIGHT
35.2 LBS.

FINISH
#4 Brushed Satin Stainless Steel

INSTALLATION

MOUNTING OPTIONS AVAILABLE

- Type P - Pipe Mount
- Type G - Ground Mount
- Type B - Bolt Down Mount

See specific Installation drawings for each mounting option. The installation drawing will show the component weight chart, mounting instructions, and details.

CUSTOMIZATION

BollardsUSA provides custom bollard sizing and installation solutions to meet project requirements. Contact sales for custom or modified product inquiries.

Series: Derby

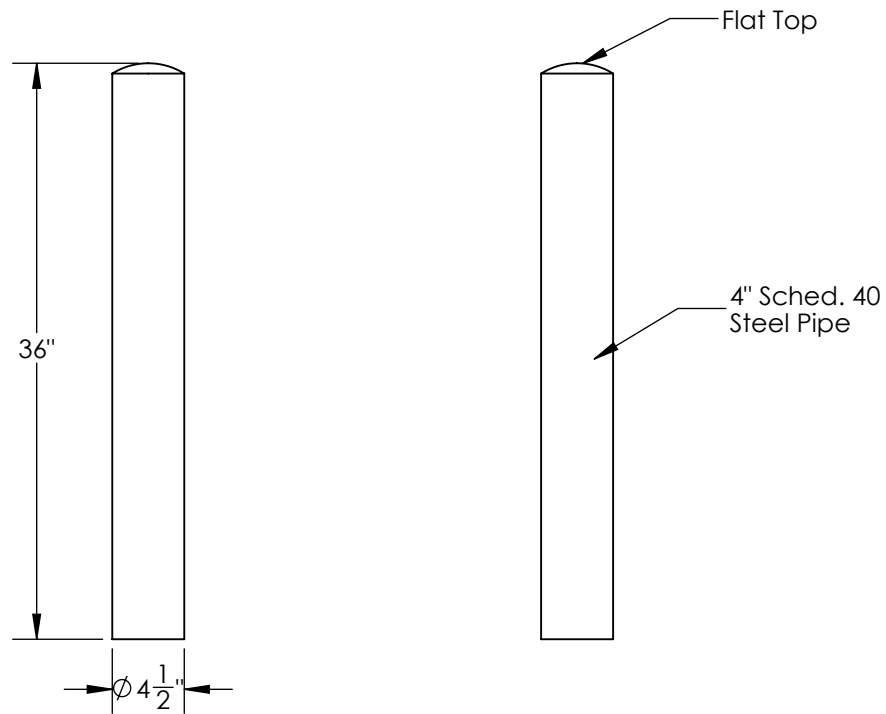
Product No.

300-SD

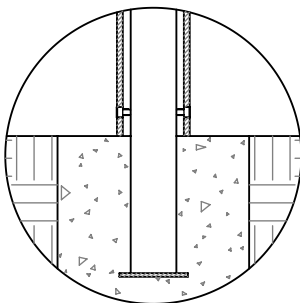


BOLLARDSUSA

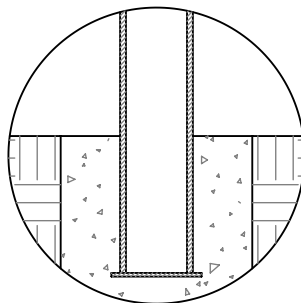
A DIVISION OF JR HOE



TYPE P
Pipe Mount



TYPE G
Ground Mount



TYPE B
Bolt Down Mount

