



Made in the USA

MATERIAL

CAP - ASTM A48 Class 30 Cast Iron
POST - A36 Mild Steel
BOLT PLATE - A36 Mild Steel

WEIGHT

CAP - 6.5 LBS.
POST - 52.4 LBS.
BOLT PLATE - 11 LBS.

FINISH

POWDER COAT FINISH
1 coat zinc rich epoxy primer + 1 coat
Super Durable polyester powder coating.
Available in 25 colors.

INSTALLATION

MOUNTING OPTIONS AVAILABLE

- Type P - Pipe Mount
- Type G - Ground Mount
- Type B - Bolt Down Mount
- Type R - Bolt Removable Mount

See specific Installation drawings for each mounting option. The installation drawing will show the component weight chart, mounting instructions, and details.

Series: Township

PRODUCT NO.

200-TP

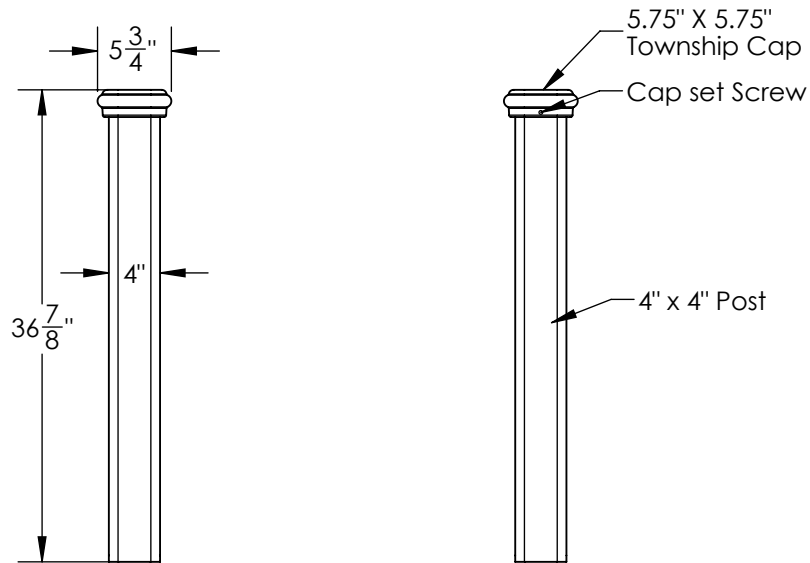


BOLLARDSUSA

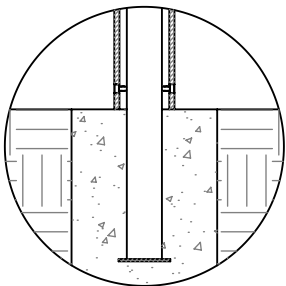
A DIVISION OF JR HOE



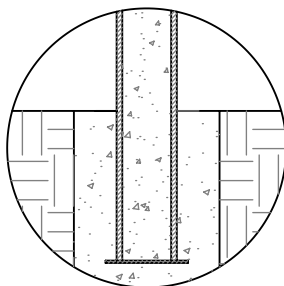
Available in 25 standard colors
(Shown in Fir Green)



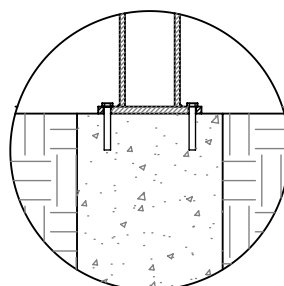
TYPE P
Pipe Mount



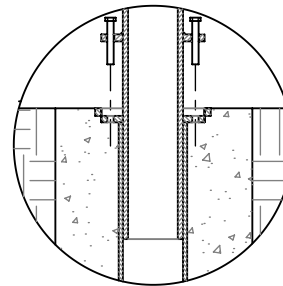
TYPE G
Ground Mount



TYPE B
Bolt Mount



TYPE R
Removable Mount



Optional Custom Logo

