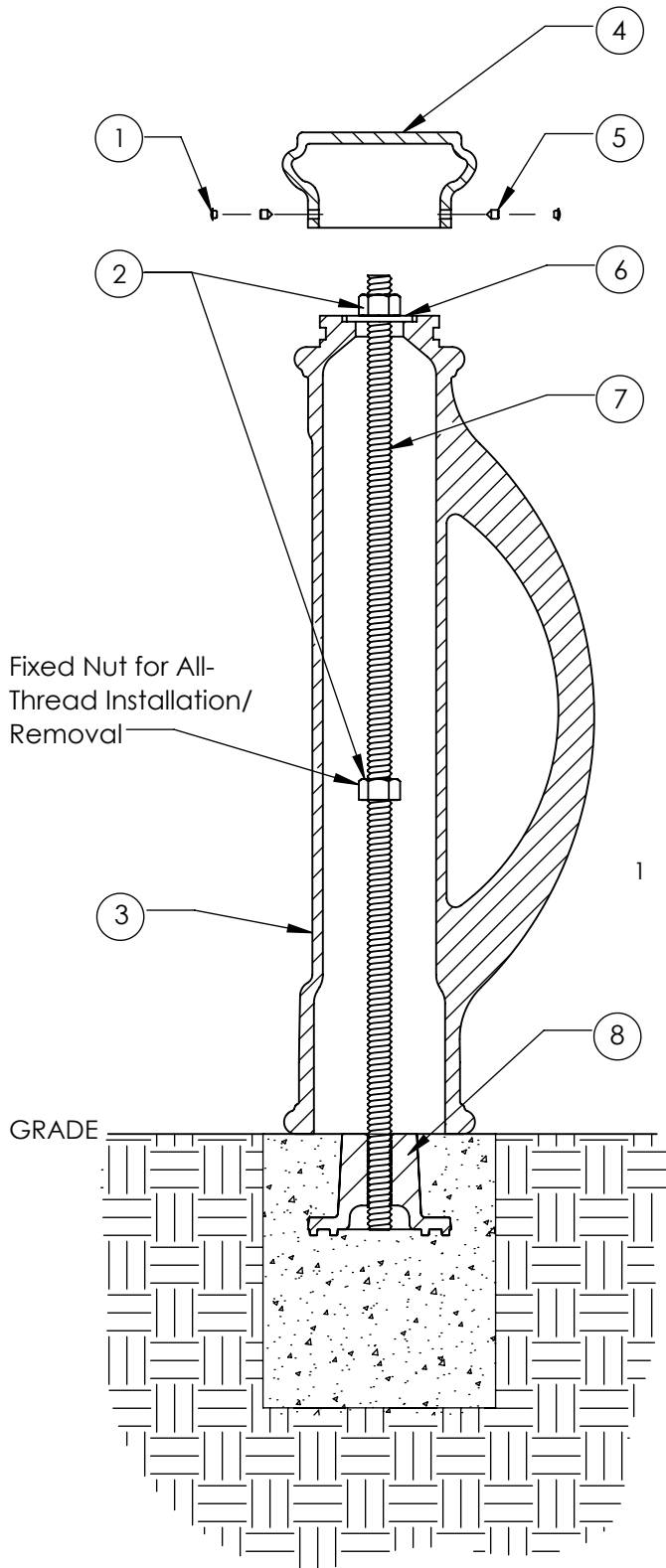


Type I - Iron Base Mount

Series: Velocity

Product Number: 160 -RB1



ITEM	QTY	PART	WEIGHT
1	2	Plastic screw caps.	.18 g. ea.
2	2	1" Stainless steel nuts.	.34 lbs. ea.
3	1	Cast Iron plain B1 bollard body.	118.2 lbs.
4	1	Cast Iron round bollard top.	13.6 lbs.
5	2	3/8" Stainless steel set screws.	3.7 g. ea.
6	1	1" Stainless steel washer.	.36 lbs.
7	1	41"-long 1" dia. stainless steel all-thread.	7.44 lbs.
8	1	Ductile iron mounting base.	9.6 lbs.

-Insert threaded rod into conc-embedded anchor casting, tighten 1" nut onto washer securing bollard in place, use set screws to secure Round top.

-Footer detail is for reference only; proper footer construction depends on local soil conditions and engineering requirements.