



Made in the USA

**MATERIAL**  
ASTM A48 Class 30 Cast Iron

**SLEEVE WEIGHT**  
101 LBS.

**FINISH**  
**POWDER COAT FINISH**  
1 coat zinc rich epoxy primer + 1 coat  
Super Durable polyester powder coating.  
Available in 25 colors.

**INSTALLATION**  
**MOUNTING OPTIONS AVAILABLE**  
-Type P - Pipe Mount  
-Type I - Iron Base  
-Type S - Surface Mount  
-Type R - Removable (3 Variations available)

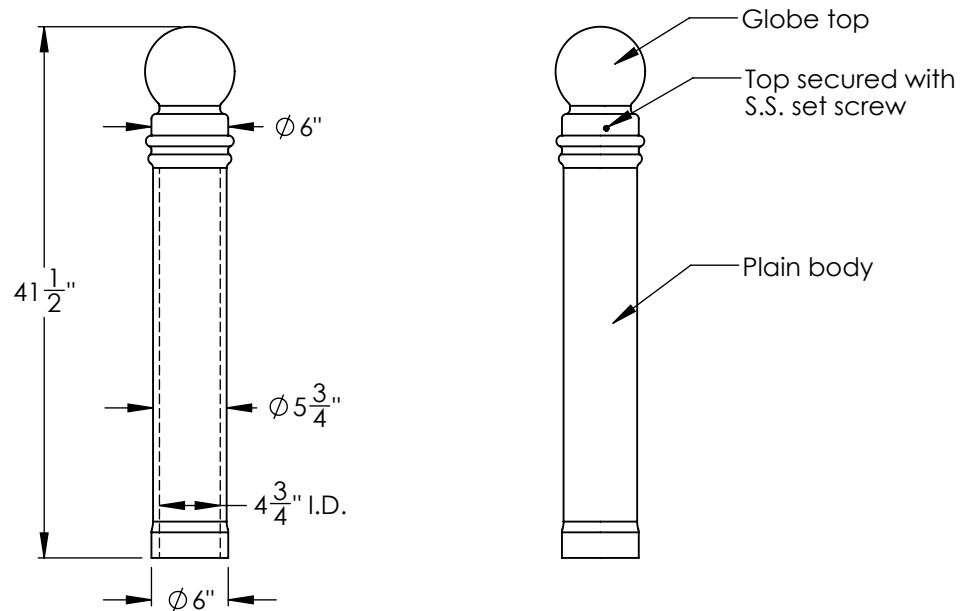
See Installation drawings for complete details.  
Parts list and component weights.



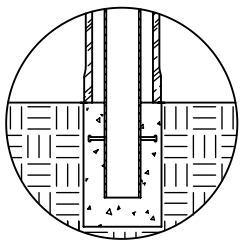
Series: Broadway

PRODUCT NO.

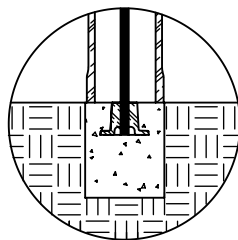
**160-GP**



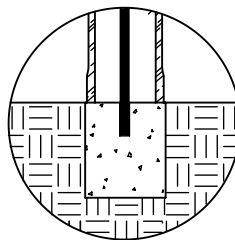
**TYPE P**  
Pipe Mount



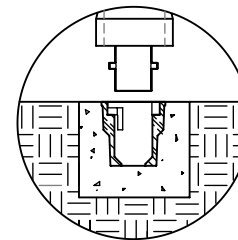
**TYPE I**  
Iron Base Mount



**TYPE S**  
Surface Mount



**TYPE R**  
Removable Mount



\*3 Variations of Twist and Lock removable bollards available - see installation drawings.

Optional Eye Bolt and Chain

